

Product Brochure

August 2022

Anritsu

Large Aperture Metal Detector



M6h

Anritsu's innovative M6 metal detector is now available in large format.

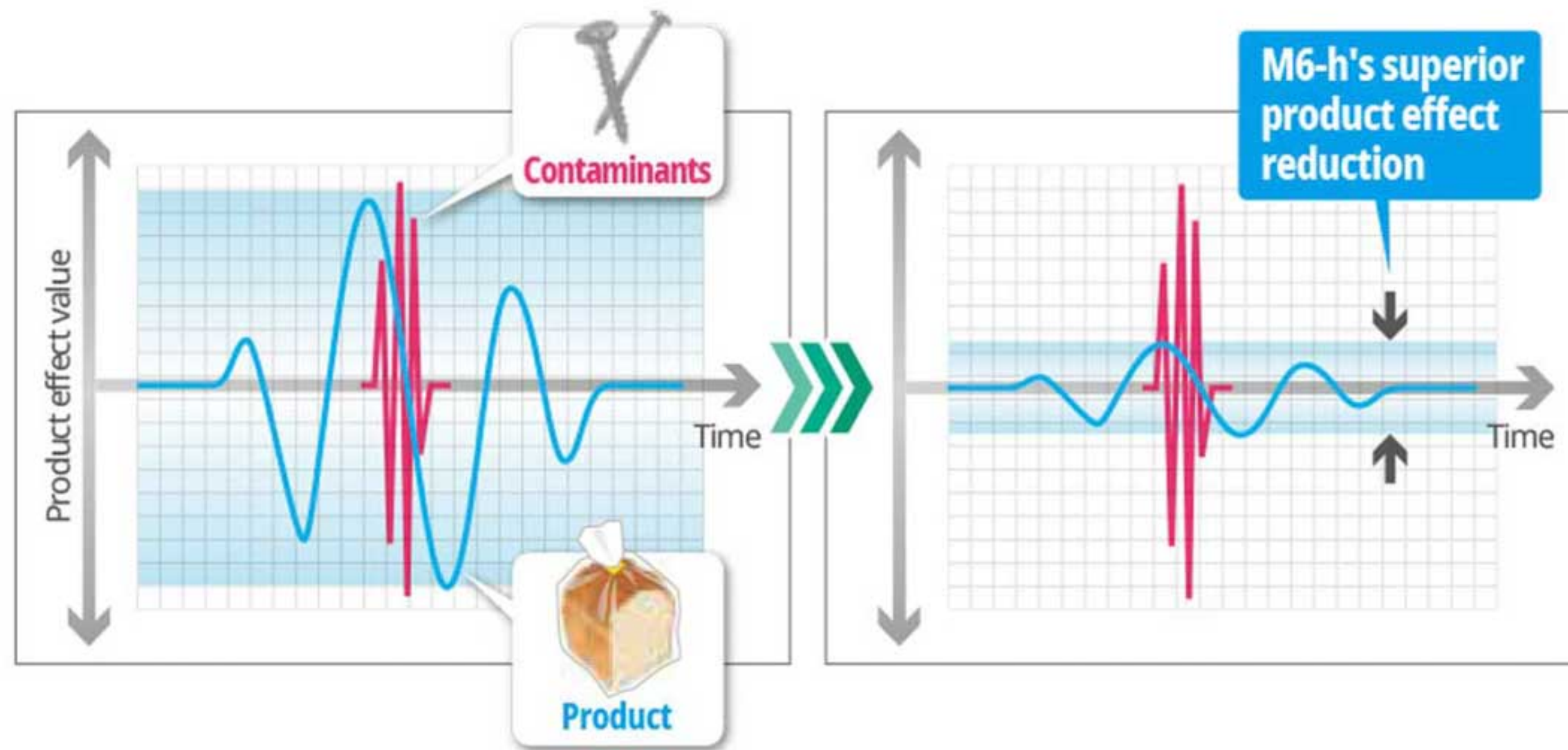


M6

Anritsu's new large metal detector brings the unrivaled performance of M6-h dual-frequency technology to larger bulk and packaged products. As quality standards get tougher, the M6-h can help you comply with regulations and avoid costly complaints.

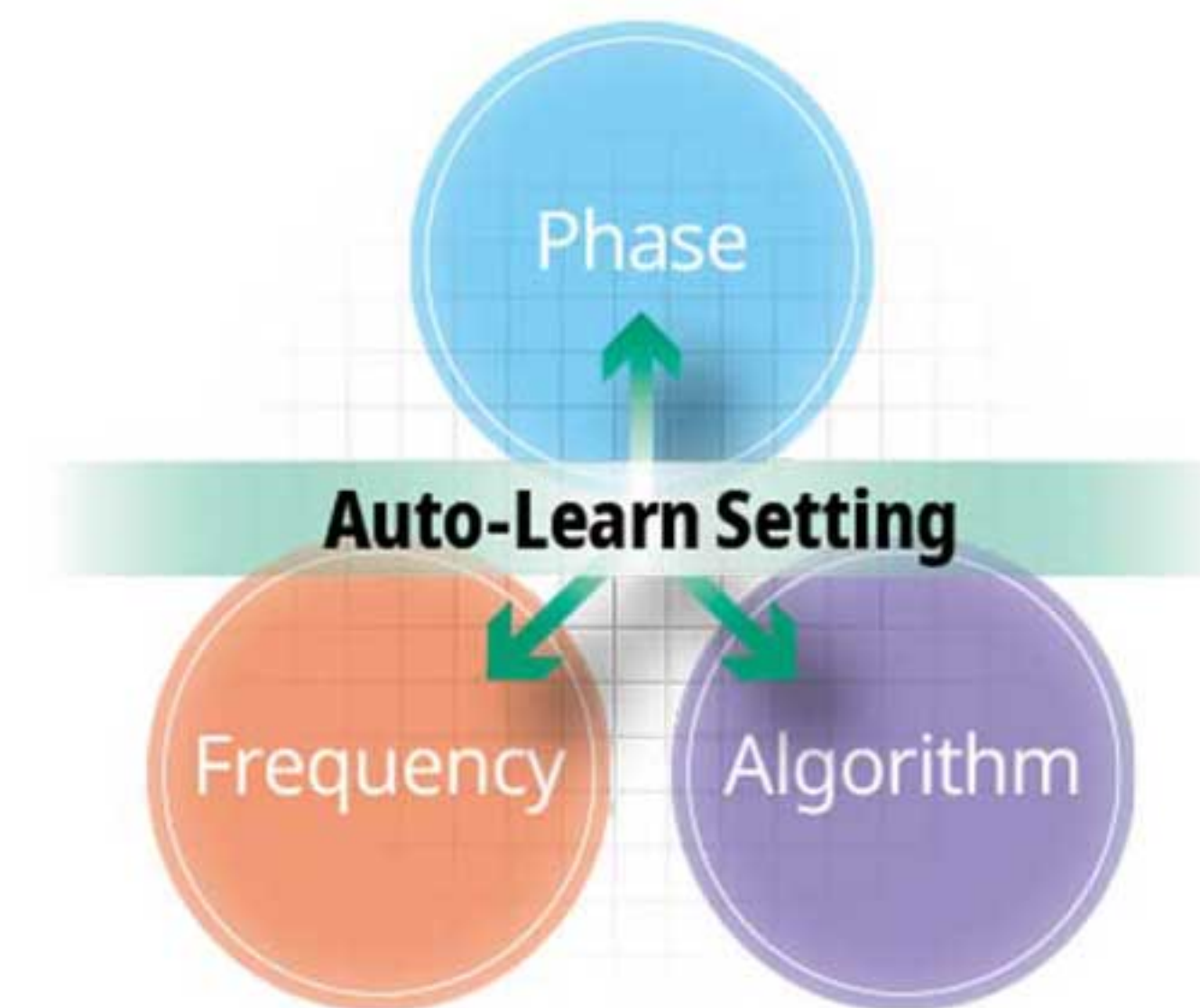
High detection sensitivity and stability

Built-in digital signal processing (patent pending) better isolates product effect and minimizes its impact on detection, resulting in outstanding performance.



Repeatable, reliable performance

The auto-learn process optimizes the best phase, frequency and detection algorithm for the dual simultaneous frequencies.



Intuitive operation

The 7-inch wide color touchscreen provides easy operation. Clear graphical guidance enables users to work efficiently.



New Product Wizard simplifies setup with step-by-step illustrated instructions.



Smart Guide supports daily operations and maintenance procedures through clear, concise messaging.



Built-in troubleshooting screens help to reduce false rejects and improve performance.

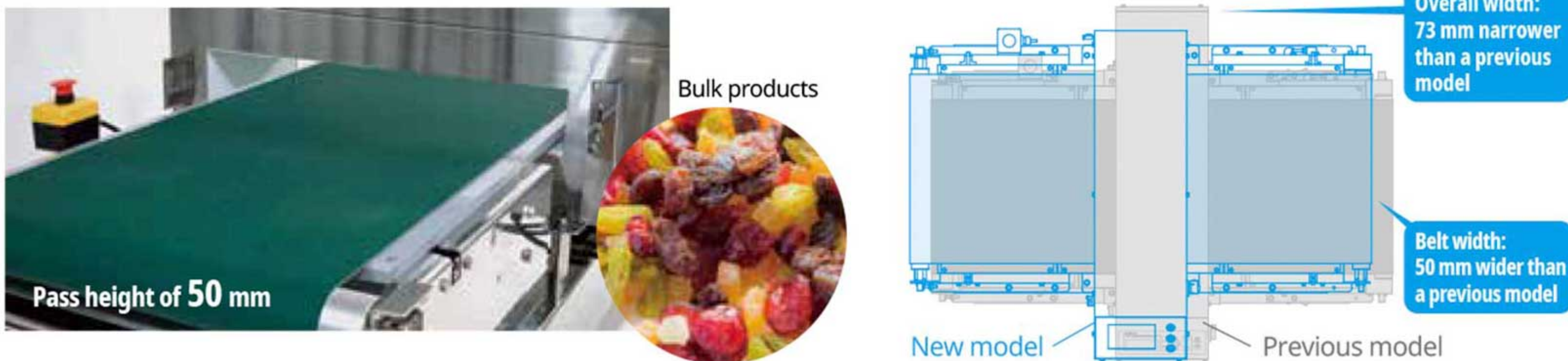


Unique error and alarm codes minimize downtime by offering guidance and reducing the need for service support.



Compact design with inspection flexibility for a wide range of products

With a conveyor width of just 700 mm, the M6-h gives you more usable inspection area than the previous model. Aperture heights range between 50 mm and 400 mm, and conveyors are available in lengths of 1200 mm, 1500 mm, and 1800 mm.



Designed with safety and hygiene in mind



Pinch point prevention

The roller's outer element is safely fixed, preventing objects, clothing or fingers from getting caught in the inner rotating element.

Superior hygiene

Sloped surfaces on the top of a detector head to allow water to run off easily.

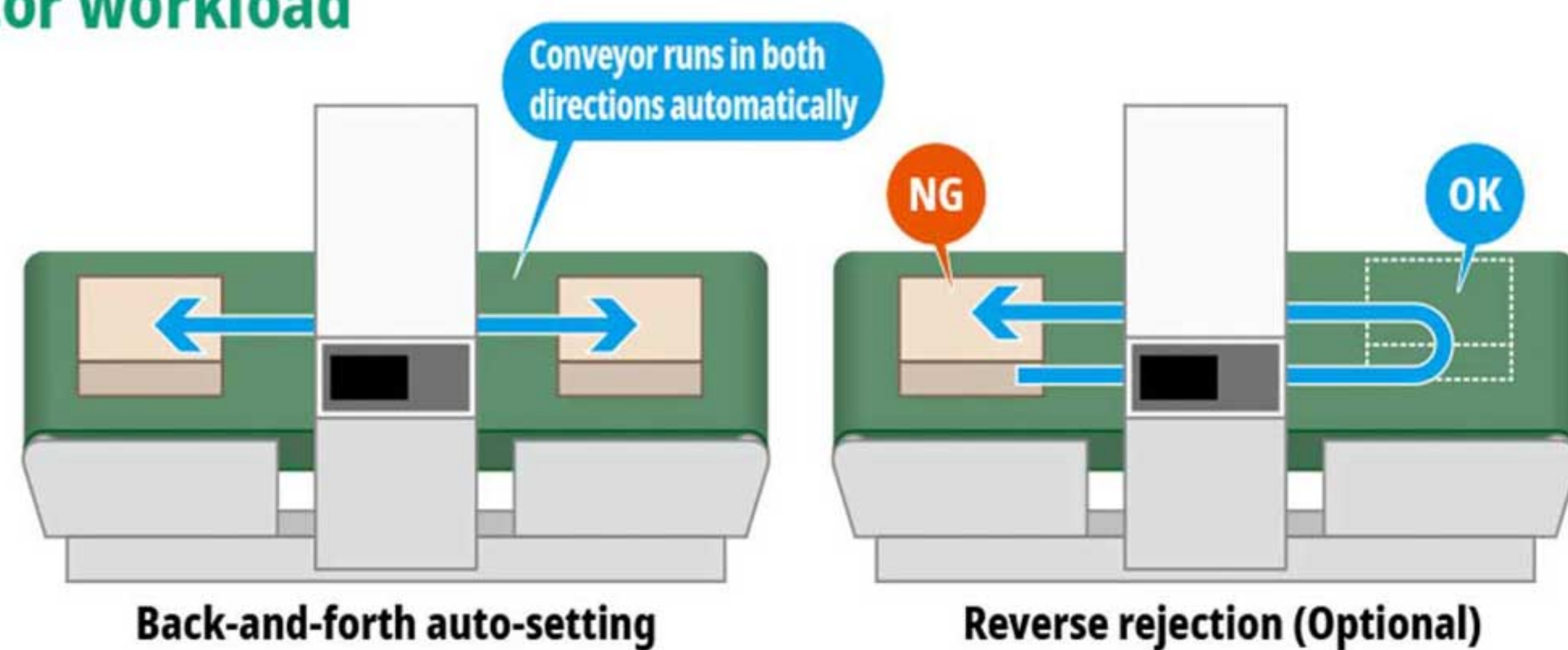
Tool free belt removal

The conveyor belt is easily removed for quick maintenance and cleaning (washdown models only).

Reverse operation to reduce operator workload

Back & Forth feature makes new product setup easier by repeatedly feeding during auto-learn.

The optional reverse rejection feature allows no-good product handling without a dedicated rejection unit.



Major Specifications

ME17 Large Aperture Metal Detector

External Dimensions



Overall length: 1200 mm

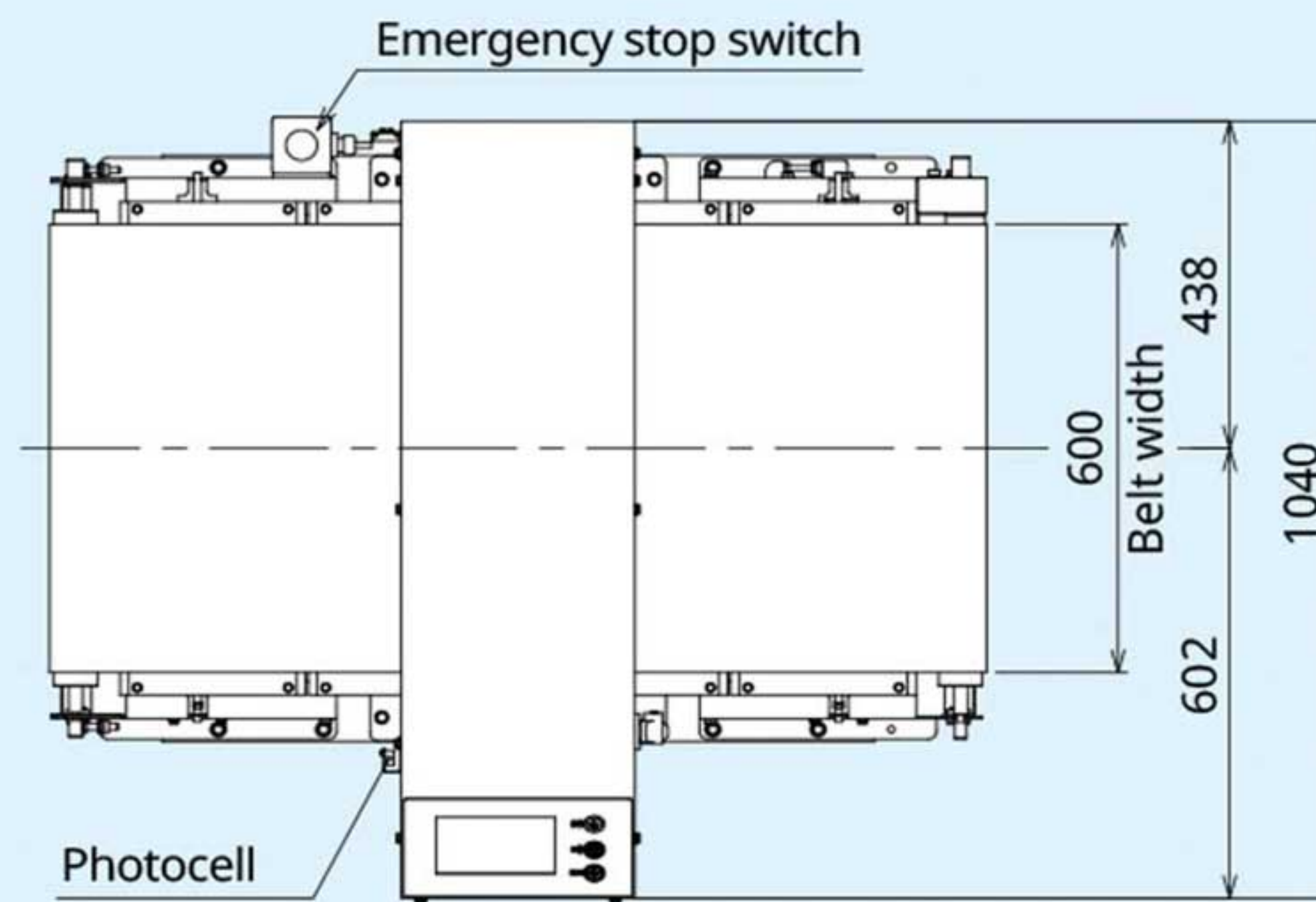
KDS7005ACF/ACW
KDS7010ACF/ACW
KDS7015ACF/ACW
KDS7020ACF/ACW
KDS7025ACF/ACW
KDS7030ACF/ACW
KDS7035ACF/ACW
KDS7040ACF/ACW

Overall length: 1500 mm

KDS7005ADF/ADW
KDS7010ADF/ADW
KDS7015ADF/ADW
KDS7020ADF/ADW
KDS7025ADF/ADW
KDS7030ADF/ADW
KDS7035ADF/ADW
KDS7040ADF/ADW

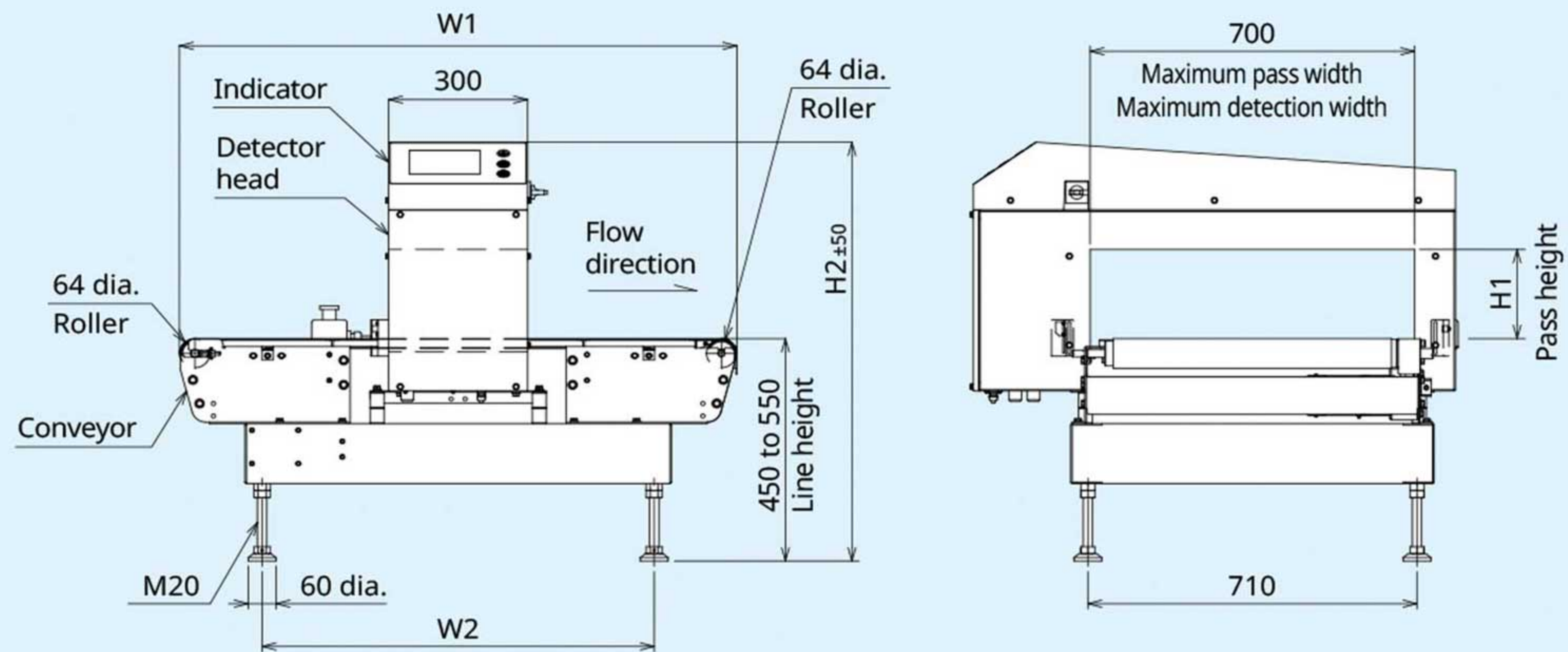
Overall length: 1800 mm

KDS7005AEF/AEW
KDS7010AEF/AEW
KDS7015AEF/AEW
KDS7020AEF/AEW
KDS7025AEF/AEW
KDS7030AEF/AEW
KDS7035AEF/AEW
KDS7040AEF/AEW



Model	H1	H2
KDS7005	50	842
KDS7010	100	842
KDS7015	150	892
KDS7020	200	942
KDS7025	250	992
KDS7030	300	1042
KDS7035	350	1092
KDS7040	400	1142

Model	W1	W2
ACF/ACW	1200	846
ADF/ADW	1500	1146
AEF/AEW	1800	1146



Units: mm

Specifications



Model	KDS7005AC/AD/AE		KDS7010AC/AD/AE		KDS7015AC/AD/AE		KDS7020AC/AD/AE		KDS7025AC/AD/AE		KDS7030AC/AD/AE		KDS7035AC/AD/AE		KDS7040AC/AD/AE	
	F	W	F	W	F	W	F	W	F	W	F	W	F	W	F	W
Pass height	50 mm		100 mm		150 mm		200 mm		250 mm		300 mm		350 mm		400 mm	
Maximum pass width	700 mm															
Belt width	600 mm															
Display	7-inch color TFT LCD															
Operation method	Touch panel (Start, Stop, and Home are direct push buttons)															
Preset memory	Maximum 200															
Product packaging	Both general and aluminum-evaporated-packaging products															
Detection method	Simultaneous 2-frequency magnetization detection method															
Belt speed ¹	26 m/min (50 Hz), 31 m/min (60 Hz)															
Maximum product weight ²	Maximum 50 kg															
Metal detection	Rejection signal output and beep, or belt stop and beep															
Power supply ³	100 Vac ± 10%, Single phase, 50/60 Hz; 110 Vac ± 10%, 115 Vac ± 10%, 120 Vac ± 10%, Single phase, 60 Hz; 200 Vac ± 10%, 220 Vac ± 10%, 230 Vac ± 10%, Single phase, 50/60 Hz; or 240 Vac ± 10%, Single phase, 50 Hz															
Power consumption	400 VA, Rush current 50 A (typ.) (20 ms or less)															
Maximum mass	199 kg		196 kg		199 kg		202 kg		205 kg		208 kg		211 kg		214 kg	
Environmental conditions	0 °C to 40 °C, Relative humidity 30% to 85%, non-condensing															
Protection class	F (Non-waterproof) type: IP30 compliance, W (Waterproof) type: IP66 compliance															
Exterior	F (Non-waterproof) type: painted (indicator and detector head: stainless steel (SUS304)), W (Waterproof) type: stainless steel (SUS304)															

1: Belt speeds other than those listed above are available as options. Contact our sales representatives for details.

2: Sum total of product weight on the conveyor.

3: Specify one of these power requirements for use when ordering.

Note: The shape (length, width and height) of products to be inspected varies with the rejector type.

Note: The noise level of the metal detectors does not exceed 70 dB (A).